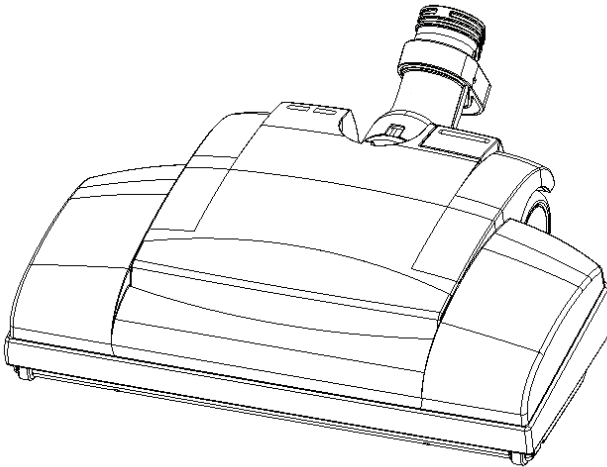




**WESSEL-WERK**

# **EBK 340 / EBK 341**

**Electric Power Nozzle**



## **Operating Manual**

Wessel-Werk USA, Inc.

118 Overhill Drive

Mooresville, NC 28117

704-658-0502

[www.wessel-werk.com](http://www.wessel-werk.com)

**Distributed By: Shair Sales Ltd.**

Surrey, BC

# IMPORTANT SAFEGUARDS

When using an electric appliance, basic precautions should always be followed, including the following:

**Read all instructions before using this Motorized Nozzle.**

## WARNING

To reduce the risk of fire, electric shock or injury:

- Do not use outdoors or on wet surfaces.
- Do not leave nozzle when plugged in. Turn off the switch, place handle in up position and unplug the electric cord when not in use and before servicing. If the nozzle is not working as it should, return it to place of purchase.
- Do not allow to be used as a toy. Close attention is necessary when used by or near children.
- Use only as described in this manual. Use only manufacturer's recommended attachments
- Do not use with damaged cord or plug. If nozzle is not working as it should because it has been dropped, damaged, left outdoors, or dropped into water, return it to a service center before using.
- Do not: pull or carry by cord, use cord as a handle, close a door on cord, or pull cord around sharp edges or corners. Do not run vacuum cleaner over cord. Keep cord away from heated surfaces.
- Do not use extension cords or outlets with inadequate current carrying capacity.
- Turn off all controls before unplugging.
- Do not unplug by pulling cord. To unplug, grasp the plug, not the cord.
- Do not handle plug or nozzle with wet hands.

Do not put any object into vacuum intake openings. Do not use with any opening blocked. Keep vacuum intake openings free of dust, lint, hair or anything that may reduce airflow.

- **This nozzle creates suction and contains a revolving brush roll.** Keep hair, loose clothing, fingers and all parts of body away from openings and moving parts.
- Do not place motorized nozzle on furniture or stairs as the brush roll may cause damage. Place nozzle on floor with the handle in storage position while using attachments.
- Do not pick up anything that is burning or smoking such as cigarettes, matches or hot ashes.
- Belt pulleys can become hot during normal use. To prevent burns, avoid touching the belt pulley when servicing the drive belt.
- Use extra care when cleaning on stairs.
- Do not use to pick up flammable or combustible liquids such as gasoline, or use in areas when they may be present.
- Store your nozzle indoors in a cool, dry area.
- Keep your work area well lighted.
- Unplug electrical appliances before vacuuming them.



**EBK 341**

**SAVE THESE INSTRUCTIONS**

## Operation

- To achieve the best results when cleaning carpet, slowly pass the power nozzle back and forth over the area to be cleaned.
- To clean hard surfaces simply move the power nozzle over the area to be cleaned with the vacuum on and the power nozzle on or off.
- It is best to avoid cleaning carpet fringes. When it is unavoidable, place the power nozzle over the carpet and pull it over the fringe onto the floor.

### EBK 340

- The green lamp indicates that the nozzle is on and operating normally.
- The red warning lamp will light if the brush rotation is restricted. This can occur if an object causes brush speed reduction, thus overloading the drive motor. If this occurs:
  - ❑ Turn off the vacuum cleaner and disconnect the power supply cord.
  - ❑ Remove the object that is preventing the brush from rotating.
  - ❑ Press the red reset button. (See illustration page 6)
  - ❑ Reconnect the nozzle. Return to cleaning.

### EBK 341

- The auto-shut off feature will activate should rotation of the brushroll become restricted. If this occurs:
  - ❑ Turn off the vacuum cleaner and disconnect the power supply cord.
  - ❑ Remove the object that is preventing the brush from rotating.
  - ❑ Reconnect the nozzle. Return to cleaning.

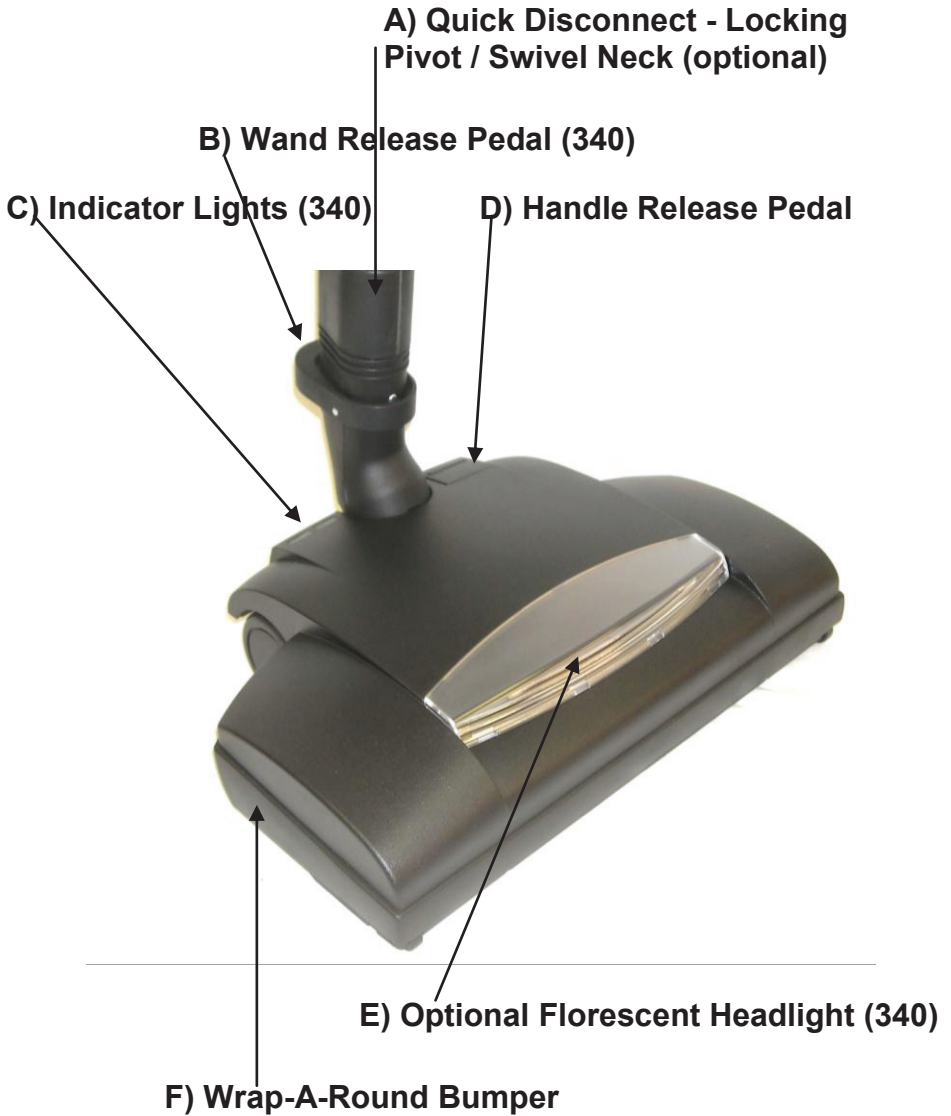
## Cleaning

It may happen that your agitator brush becomes blocked or less effective. This may be caused by excessive hairs and threads wrapped around the brush roller.

- Always unplug the nozzle from the power supply first.
- **Cleaning the brush roller**
  - Insert the points of a pair of scissors into the brush roller slot (see illustration page 7). Move the scissors to catch the threads and hairs in the scissors.
  - Cut the threads of hairs and remove them manually or using a small sized pair of pliers.
- **Should your nozzle cease to pick-up debris:**

This can be caused by an obstruction in the intake and or neck of the power nozzle. This can be caused when excessively large or long debris, like paper or a sock, is lodged in the intake and/or neck area of the nozzle.
- Always unplug the nozzle from the power supply first.
- **Clearing an Obstruction**
  - Remove the wand from the nozzle by depressing the button on the nozzle neck and pulling the nozzle and wand apart.
  - Look into the neck and remove any visible debris.
  - Look into the intake area of the nozzle and remove any visible debris. (See Illustration Page 7)

# Identify Parts



**H) 4 Soft Rubber Wheels**

**D) Reset Button (340)**

**J) Chevron Brush**

**K) Brush Roller/Brush Roller Slot for cutting string/hair**



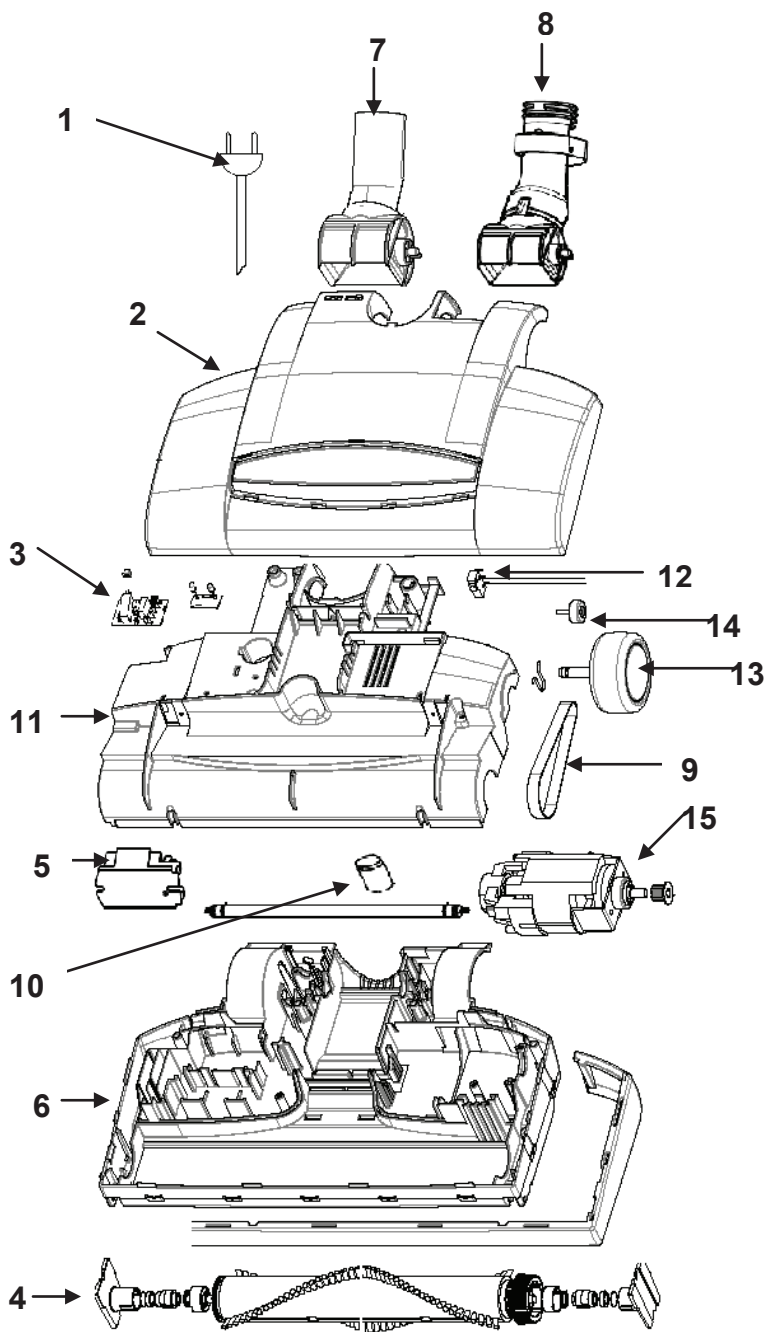
**L) Dry Wiper For Hard Floor Cleaning**

**M) Vacuum Intake**

## Replacement Parts

ID	Description	Part #
1	Cord- Coiled	10.1 163-300
1	Cord- Straight EBK 341	10.1 135-303
2	Cover-No Light-Black	10.9 011-336
2	Cover-No Light-Lt Gray	10.9 011-335
2	Cover -w/Light-Black	10.9 011-315
2	Cover- EBK 341	10.9 011-382
3	Circuit Board 120V 250W	10.9 011-314
3	Circuit Board-EBK 341	10.9 011-383
4	Brush Roll complete	10.9 011-323
4	Brush Roll-Twisted-EBK 341	10.9 011-371
5	Ballast 120V	19.1 005-300
6	Base Complete - Black	10.9 011-300
7	Std. Neck w/button hole	10.9 011-316
8	QDC Neck	10.7 028-300
9	Belt - Cogged	19.1 016-300
10	Light Starter and Tube	10.9 011-317
11	Motor Cover (with light)	10.9 011-318
11	Motor Cover (no light)	10.9 011-304
12	Micro Switch	10.4 015-300
13	Wheel - Rear w/Axle	10.9 011-308
14	Wheel - Front w/Axle	10.9 011-309
NA	Motor Hardware	10.9 011-310
15	Motor EBK 340 -120V 250W	10.9 011-319
15	Motor EBK 341-120V 120W	10.9 011-301
NA	Long Screw	9.2 720-04





## Rating Plate

The model number is indicated on the rating plate which is located on the bottom of the nozzle. For prompt and complete service, always refer to these numbers when contacting your place of purchase.

Model No. **EBK 340/EBK 341**

Date of Purchase: \_\_\_\_\_

Where Purchased: \_\_\_\_\_  
Company

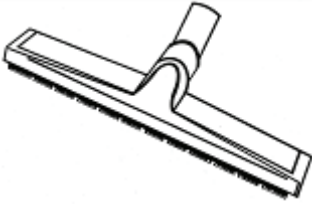
\_\_\_\_\_  
Address

\_\_\_\_\_  
City

\_\_\_\_\_  
State Zip Code

\_\_\_\_\_  
Phone

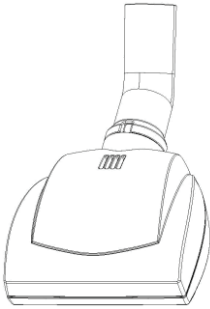
**Also Available**



**D 320 –12" and 14"  
Hardwood Floor Brush**



**PT 160  
Stair and Upholstery Tool**



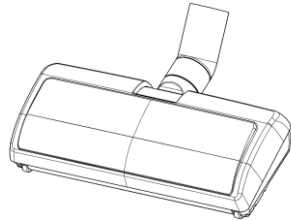
**HEB 160 Hand Electric  
Stair and Upholstery Tool**



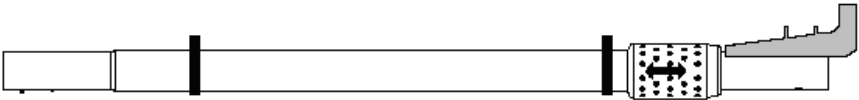
**Universal Elongated  
Dusting Brush**



**D 330 Hard Floor Brush with  
Fully articulated**



**EBK 280  
Compact Electric Brush**



**Telescopic Wand with Cord Management**

